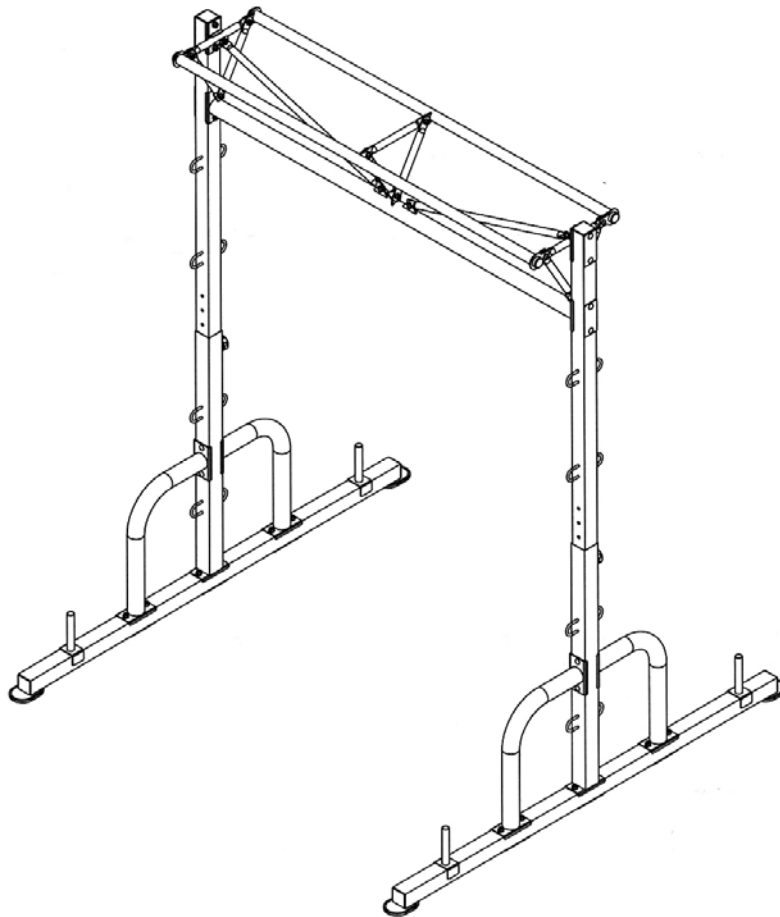


sag gear™

SUSPENSION RACK

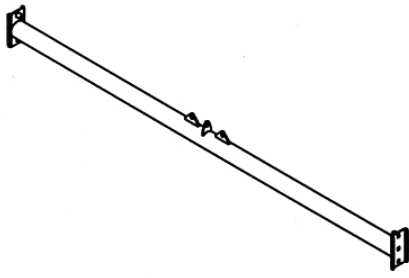
SAG-2805



IMPORTANT: Please read the Important Safety Notice and Assembly Information in the Owner's manual before assembling this product.

Assembly Manual

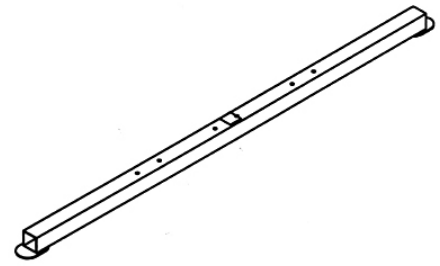
110826



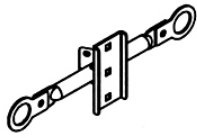
① x 1



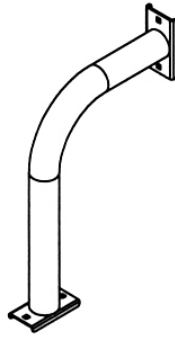
② x 2



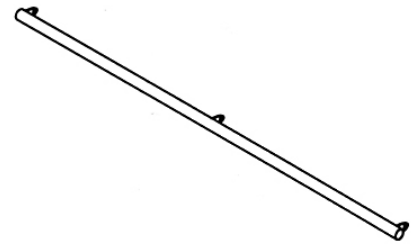
③ x 2



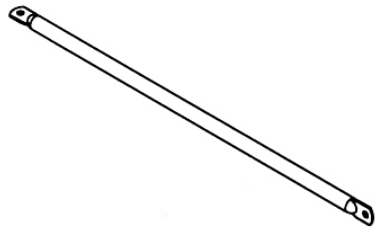
④ x 2



⑤ x 4



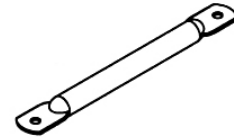
⑥ x 2



⑦ x 2



⑧ x 2



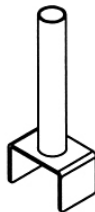
⑨ x 7



⑩ x 10



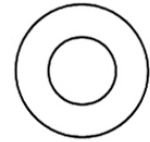
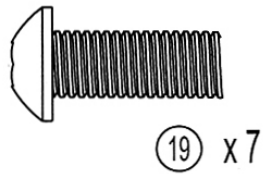
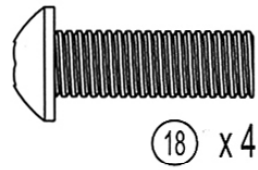
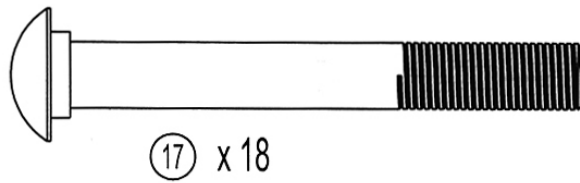
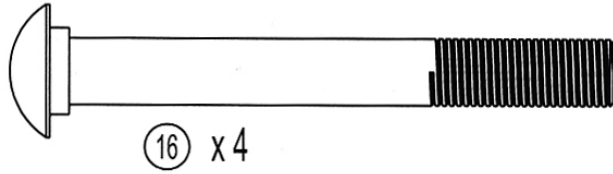
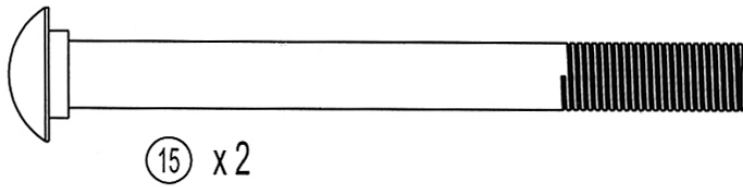
⑭ x 2



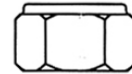
⑳ x 4



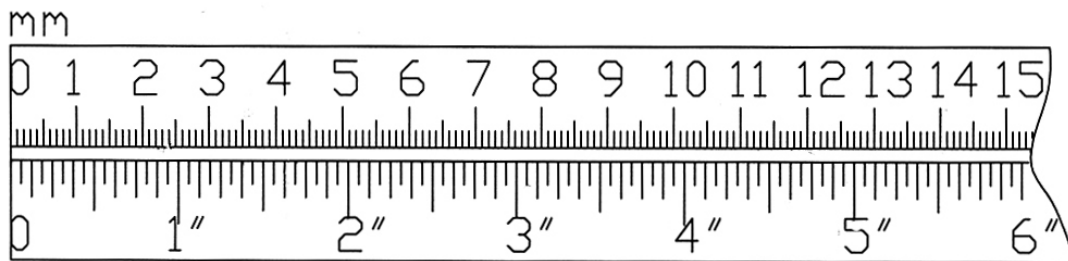
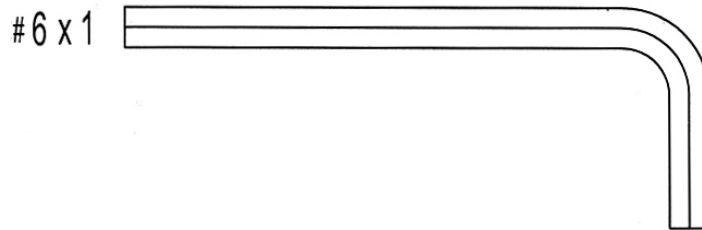
㉓ x 4

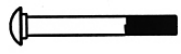

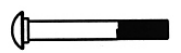



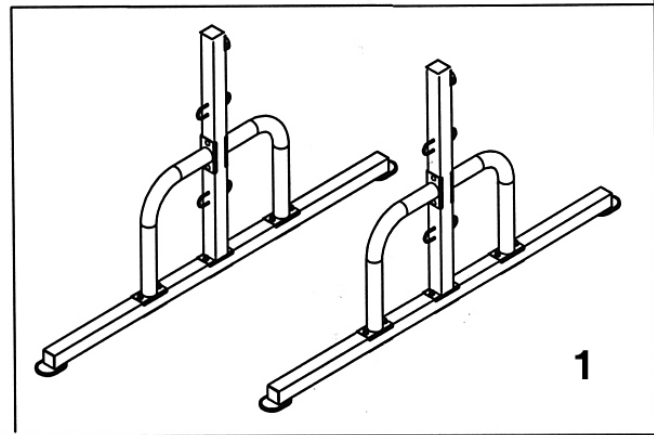
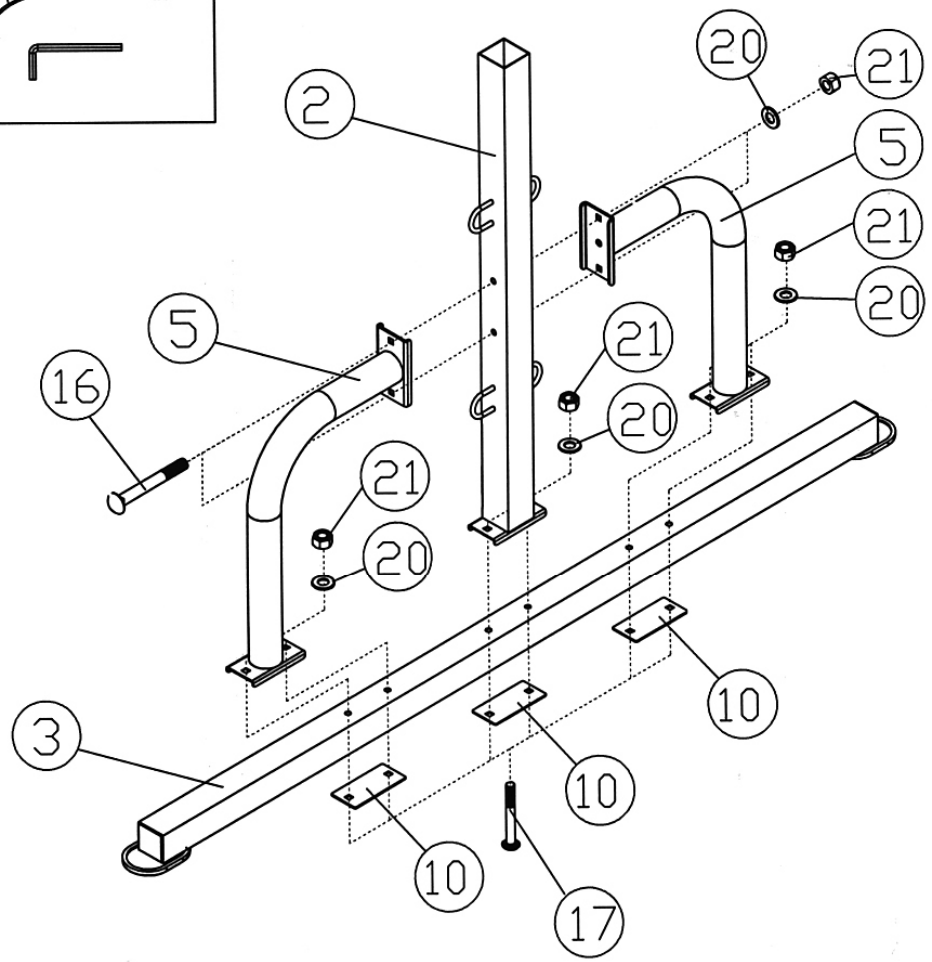
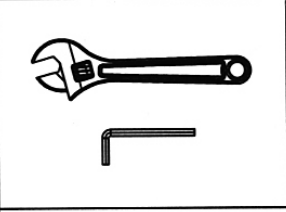
(20) x 46



(21) x 35



- | | | | | | | | |
|------|---|-----|-------------------------|------|---|-----|----------------------|
| (16) |  | x 2 | M10 x 3 $\frac{3}{8}$ " | (20) |  | x 8 | $\phi \frac{3}{4}$ " |
| (17) |  | x 6 | M10 x 3 $\frac{1}{8}$ " | (21) |  | x 8 | M10 |

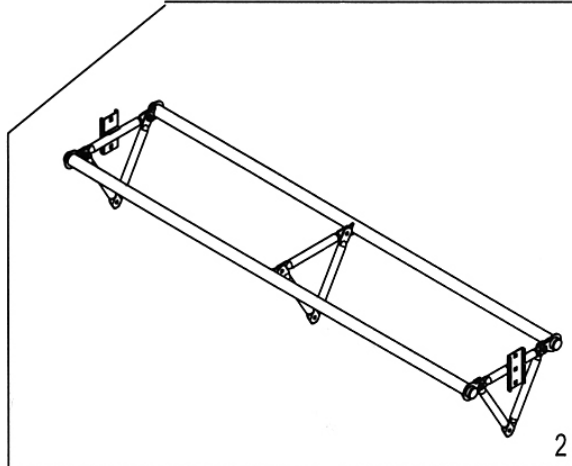
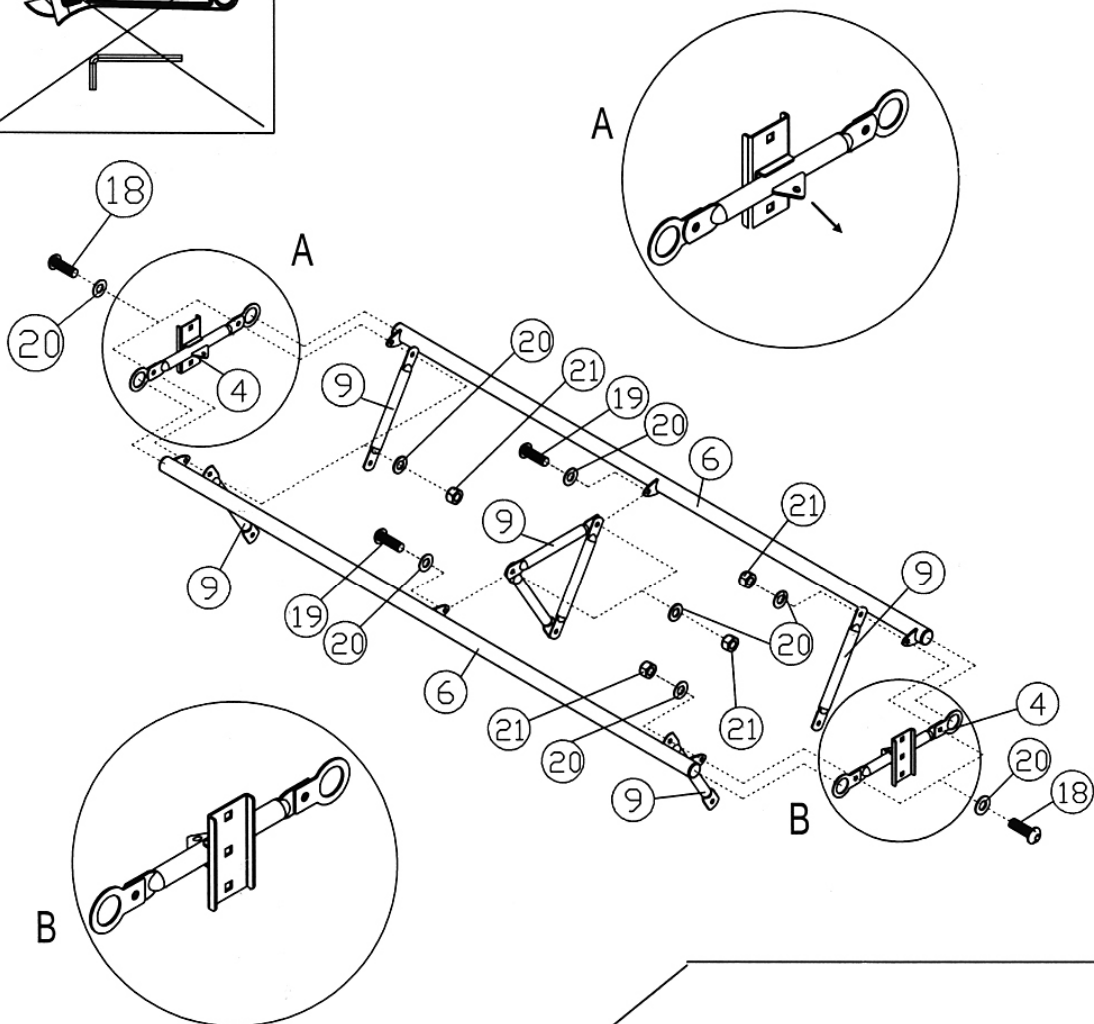
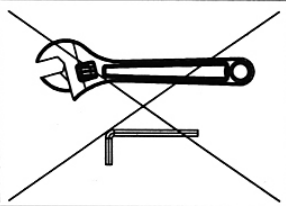


⑱ × 4 M10 × 1 $\frac{1}{8}$ "

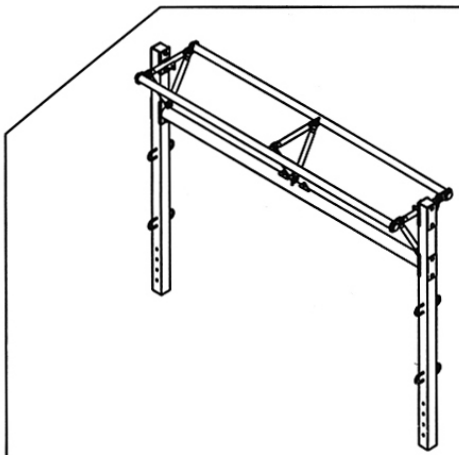
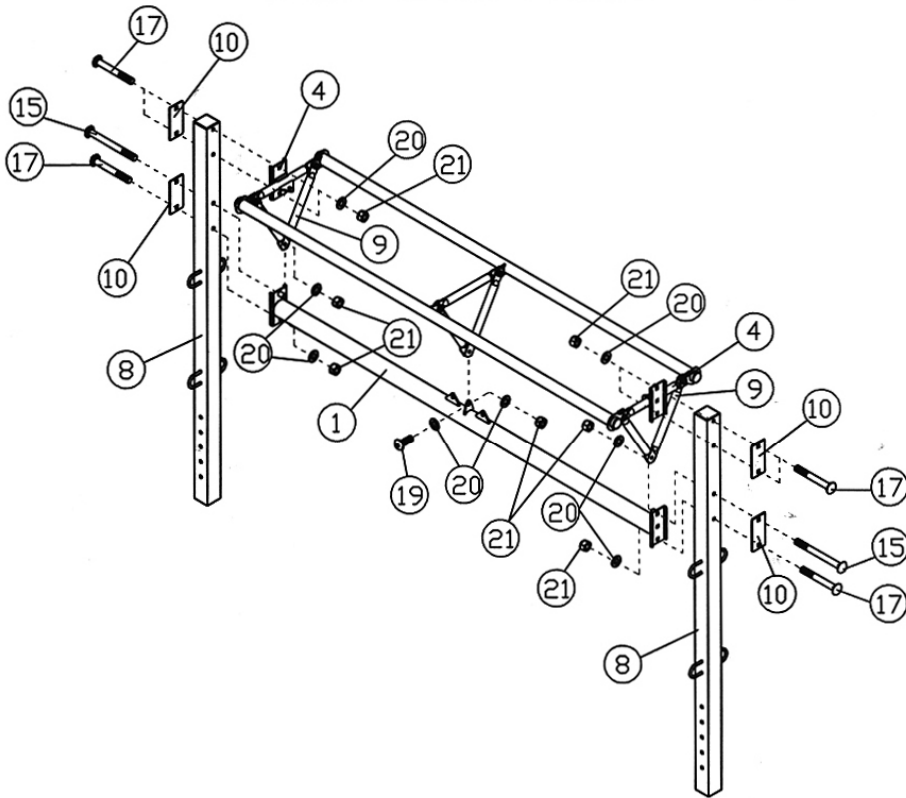
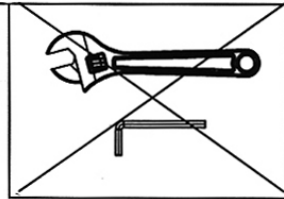
⑳ × 12 $\Phi \frac{3}{4}$ "


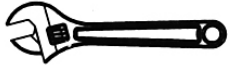



㉑ × 2 M10 × 1

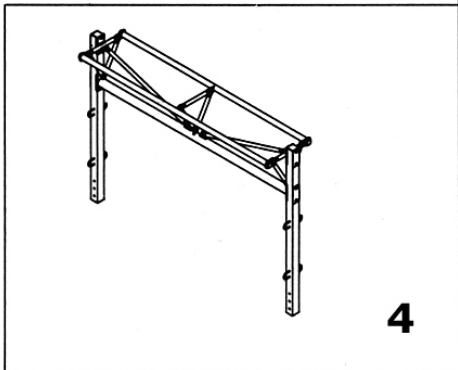
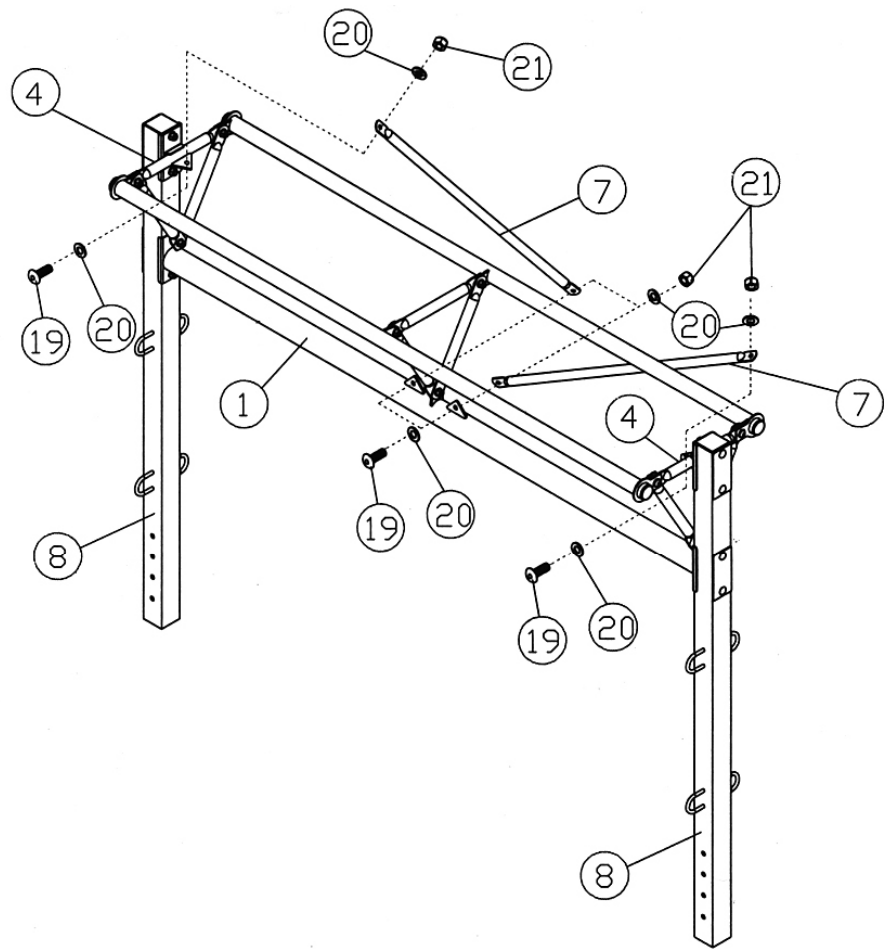
㉒ × 6 M10

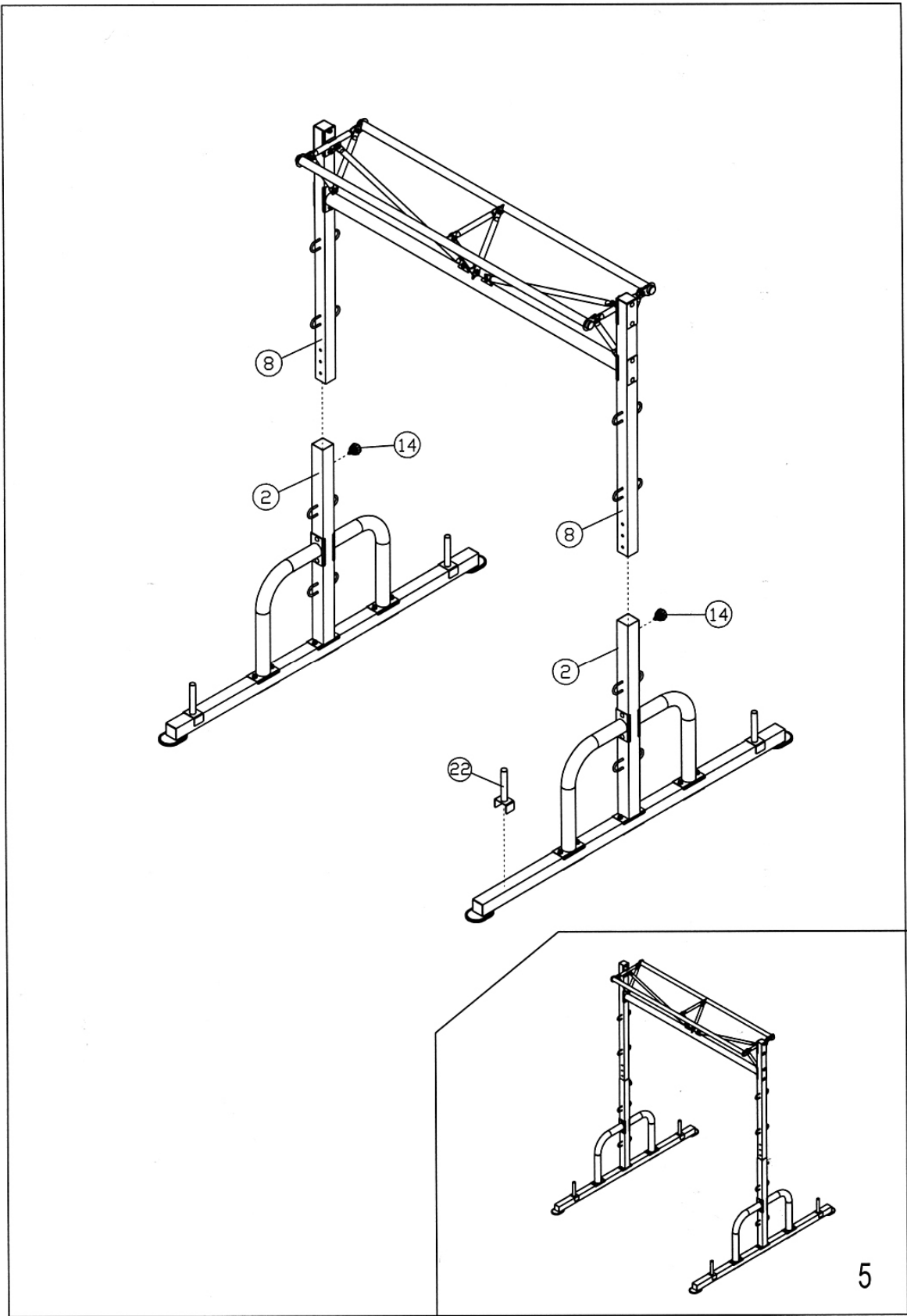


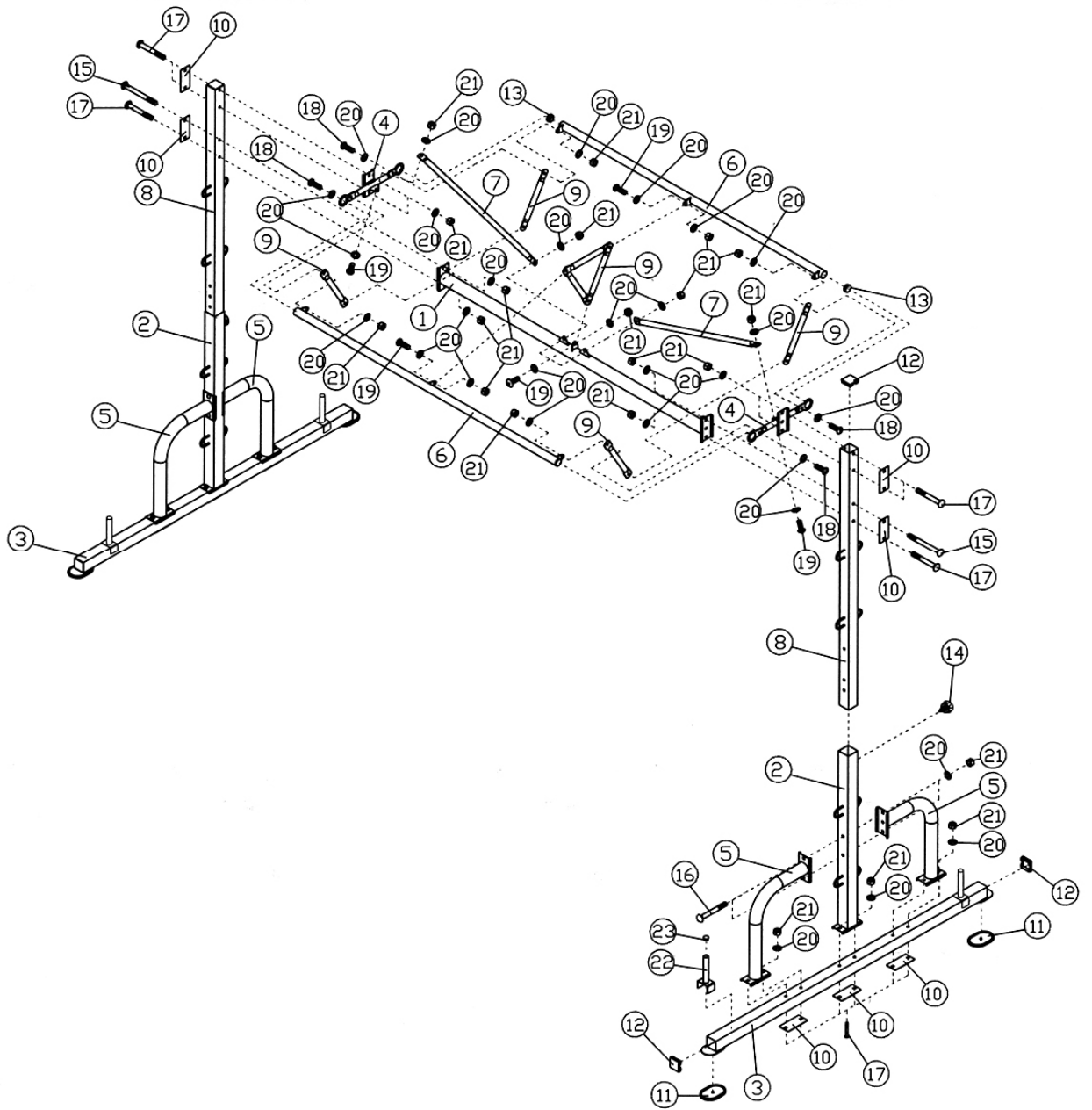
- ⑮  × 2 M10 × 4 $\frac{1}{8}$ "
- ⑰  × 6 M10 × 3 $\frac{1}{8}$ "
- ⑲  × 1 M10 × 1"
- ⑳  × 10 $\Phi \frac{3}{4}$ "
- ㉑  × 9 M10



(19)		x 4	M10 x 1"	 
(20)		x 8	$\Phi \frac{3}{4}$ "	
(21)		x 4	M10	







IMPEX® INC.

14777 DON JULIAN RD., CITY OF INDUSTRY, CA 91746

Tel: (800) 999-8899 Fax: (626) 961-9966

www.impex-fitness.com

info@impex-fitness.com